

## WH-1700/ WH-1800/ WH-1900/ WH-2000 CCTV Camera

Hardware User Manual



**SAFETY PRECAUTIONS**

Select a proper location and use safe hoist for installing outdoor color cameras.

Confirm that the hoist is capable of lifting to the installation position.

Proper protective measures must be provided in the hoist, for protecting engineering staffs.

Confirm that power supply is 110V/220V. Ensure safety precautions for preventing electric shock.

**WARNING**

When using this product, please follow the local electrical appliance regulations for safety concern.

This product is using AC90V~260V power input, for safety of use, do not use any power supply other than that specified.

For the safety of the engineering staffs, apply power only upon completion of installation.

**Operation Environment**

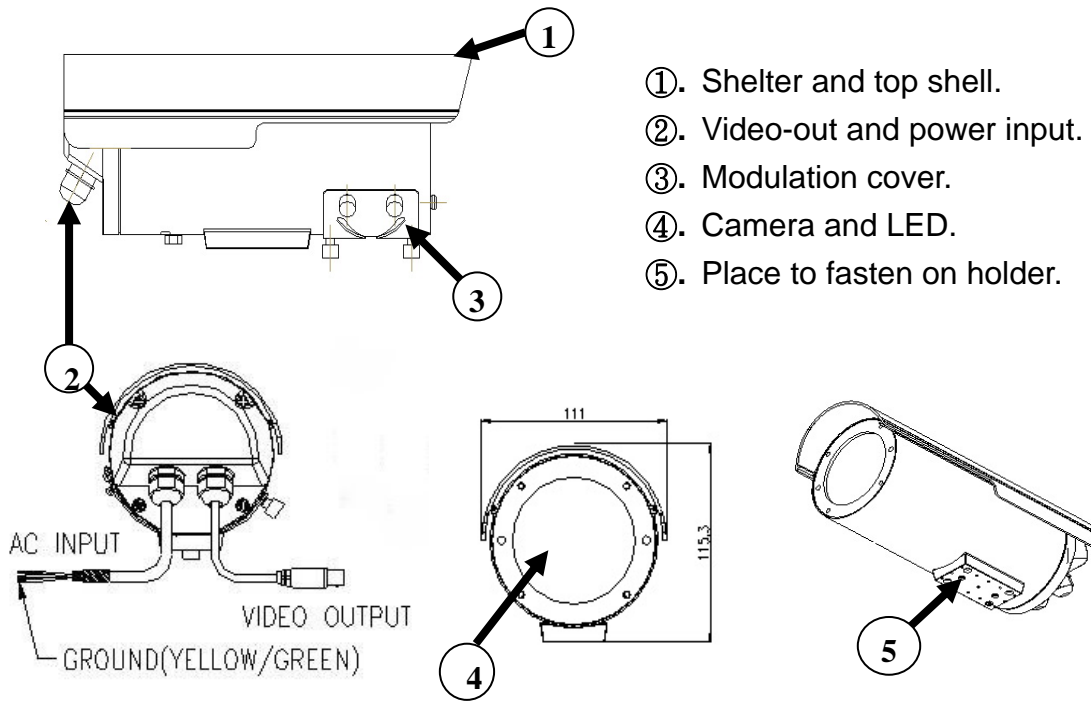
Environmental requirements for outdoor waterproof color cameras:

Environment temperature: -20°C to + 50°C

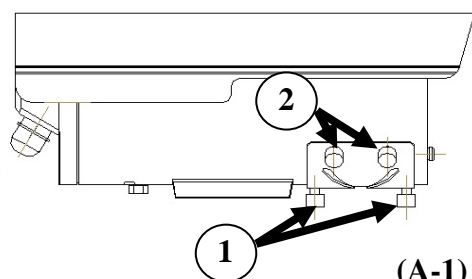
Environment humidity:  $\leq$  85%

Power supply: AC90V~260V

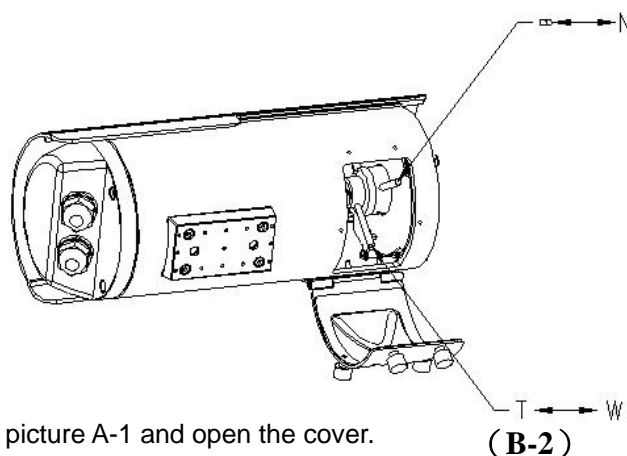
## Components Descriptions



## Modulation

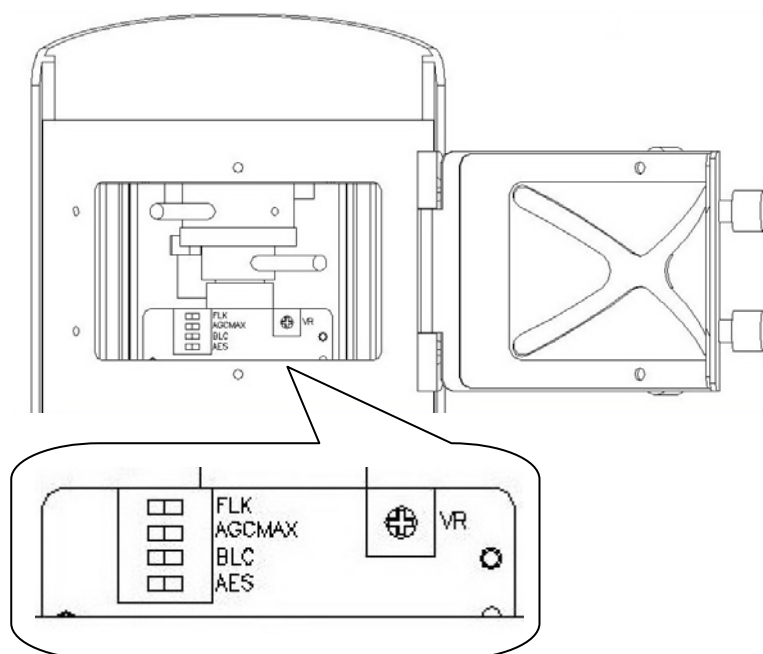


(A-1)



(B-2)

- I. Unfasten screws part 1 - 2, which are specified in picture A-1 and open the cover.
- II. Two triggers for modulating wide, tele and focus.
- III. For modulating Tele and Wide. Pull the trigger according the **T** arrow to set in tele.  
Pull the trigger according the **W** arrow to set in wide.
- IV. For modulating the focus. Pull the trigger up and down to modulate the focus.
- V. **ATTENTION!** After modulation, close the cover and make sure bolts are fastened. It is recommended to use a screwdriver. You need to fasten the part A-1 bolts first, or you can't fasten the part B-2 bolts. Fasten bolts in turn!



## Function Board

Built-in function board provides advanced adjustment

- FLK (Flickerless)
- AGC (Auto Gain Control)
- BLC (Back Light Compensation)
- AES (Auto Electronic Shutter)
- VR (Various Resistor) adjustments are available.
- VR adjustment is designed for adjusting IRIS level.

**World Helmsman Technology Co., Ltd.**

3F-5, No.81, Sec.1, Hsin Tai Wu Rd., Hsichih,  
Taipei Hsien 22101, TAIWAN

Tel: +886-2-2906-0816 Fax: +886-2-2904-1360

sales@wh-tech.com

www.wh-tech.com