

WH-1500/ WH-1600 CCTV Camera

Hardware User Manual



SAFETY PRECAUTIONS

Select a proper location and use safe hoist for installing outdoor color cameras.

Confirm that the hoist is capable of lifting to the installation position.

Proper protective measures must be provided in the hoist, for protecting engineering staffs.

Confirm that power supply is 110V/220V. Ensure safety precautions for preventing electric shock.

WARNING

When using this product, please follow the local electrical appliance regulations for safety concern.

This product is using AC90V~260V power input, for safety of use, do not use any power supply other than that specified.

For the safety of the engineering staffs, apply power only upon completion of installation.

Operation Environment

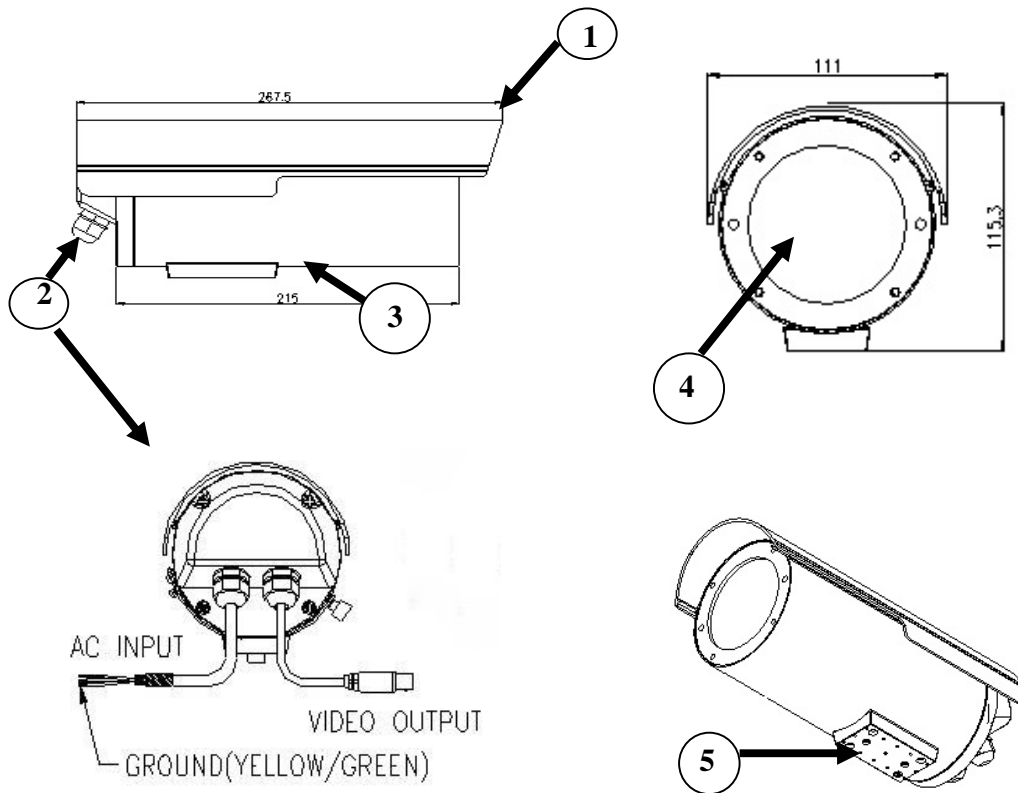
Environmental requirements for outdoor waterproof color cameras:

Environment temperature: -20°C to + 50°C

Environment humidity: \leq 85%

Power supply: AC90V~260V

Components Descriptions



- ①. Shelter and top shell.
- ②. Video-out and power input.
- ③. Base.
- ④. Camera and LED.
- ⑤. Place to fasten on holder.

World Helmsman Technology Co., Ltd.

3F-5, No.81, Sec.1, Hsin Tai Wu Rd., Hsichih,
Taipei Hsien 22101, TAIWAN

Tel: +886-2-2906-0816 Fax: +886-2-2904-1360

sales@wh-tech.com

www.wh-tech.com