

WH-V270-O Pan/Tilt/Zoom CCTV camera

27x Optical zoom, Outdoor surveillance

The WH-V270-O Pan/Tilt/Zoom CCTV camera is high resolution video surveillance camera, designed for outdoor dirty environments surveillance applications, such as harbor, factory, and public area. The WH-V270-O PTZ camera provide wide range video surveillance, the PTZ standard for 360 degree pan, 90 degree tilt ability and 27x optical zoom, ideal for low light video surveillance needs.



Quality Assurance

- Green design
- Corrosion proof
- Improved blower and heater
- 100% passed durability test
- Innovated and practical design
- Temperature test, voltage protective test

Highlights

- ▶ Sharp 480 TV Lines
- ▶ Advanced Day& Night Function
- ▶ Rotation speed is a high 180° per second
- ▶ WDR (Wide Dynamic Range)
- ▶ DSS (Digital Slow Shutter)
- ▶ Powerful **Pan/Tilt/Zoom** function
- ▶ Vandal-Proof Dome Cove (Max load 380kg)
- ▶ Superb optical design (27x Optical Zoom)
- ▶ Dual **MPEG4 & MJPEG** stream compression
- ▶ Protection Classification **IP 66** to DIN EN 60529



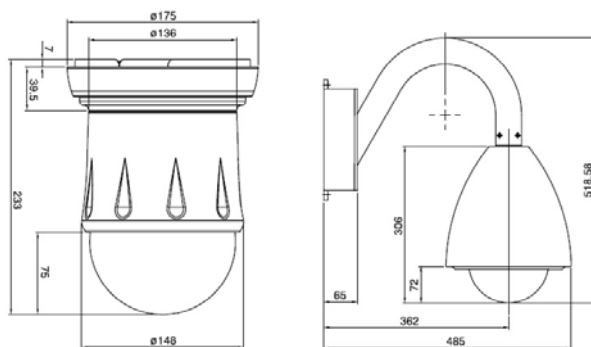
Powerful 27x Optical Zoom

- Auto Iris and Auto Focus
- Superb optical design
- High contrast images
- Wider dynamic range

Image System	
Image Sensor	1/4" Ex-View CCD
Picture Pixels	NTSC: 410,000. pixels PAL: 470,000. pixels
Picture Elements	NTSC: 811 x 508 PAL: 795 x 596
Video	
Sync-sync	Internal / External
Lens	f=3.25mm to 88.0mm F=1.5 to 3.8
Angle of Viewing (H)	Wide 53.2° Tele 2.1°
Optical Zoom	27x Optical Zoom
Digital Zoom	10x (270x Digital Zoom)
Focus system	Auto / Manual
Iris system	Auto / Manual
H-Resolution	480TV Lines at NTSC/ PAL
Min illumination	1.0Lux at F1.5 in Color; 0.01Lux at F1.5 in B/W
S/N ratio	More than 48 dB
Shutter	Auto , 1/50(1/60)~1/10,000.sec
Wide Dynamic Range	No
Digital Slow Shutter	Yes
Day & Night	Yes
I/O Interface	
Analog Video Output	BNC connector x 1

Pan / Tilt	
Pan movement	0° ~ 360° continuous endless
Tilt movement	0° ~ 90°
Pan manual speed	0.5°/Sec to 80°/Sec vari-speed
Tilt manual speed	0.5°/Sec to 40°/Sec vari-speed
Preset	64 preset point
Preset Speed	180° per second
Power	
Power	20Vac ~40Vac, 24Vac (Power consumption 45W)
Operating environment	
Operating Temperature	-40 °C ~ 50 °C (-40 ~ 122°F)
Storage Temperature	-40 °C ~ 85 °C (-40 ~ 185°F)
Humidity	5% ~ 95%
Dimension (Ø x H)	Outdoor: 246 mm x 306 mm Indoor: 175mm x 233mm
Outdoor Protected	IP 66 to DIN EN 60529
EMI	
CE, UL	

Dimensions:



World Helmsman Technology Co., Ltd.

3F-5, No. 81, Sec. 1, Hsin Tai Wu Rd., Hsichih,
Taipei Hsien 22101, Taiwan

Tel: +886-2-2906-0816 Fax: +886-2-2904-1360

www.wh-tech.com / Email: sales@wh-tech.com

■ DISTRIBUTED BY **CE FC**

